

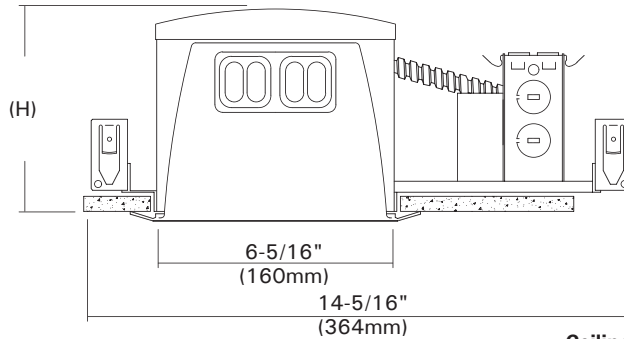
DLF-606/DLF-6063 (3-1/2" Shallow)

6" NON-IC Horizontal Housing For

(2)26W DTT, (1)32W TTT Lamps

Catalog #		Type
Project		Date
Prepared by		

FLUORESCENT



Ceiling Cut-out : 6-1/2"

Lamp,Max,Watt. : (2)26W, (1)32W

DESCRIPTION & APPLICATION

The DLF-606 & DLF-6063 is a 6" aperture housing for (1) or (2) horizontal CFL lamps. The DLF-606 & DLF-6063 is designed for use in both non-insulated and insulated ceilings. Insulation material must be kept a minimum of 3" from all sides of the housing.

DESIGN FEATURES

• Housing

- Single wall aluminum housing.
- 5-1/16" height allows use in 2" x 6" joist construction.
- Housing adjusts for ceilings up to 1-1/4" thick.

• Junction Box

- Listed for through branch circuit wiring. (Max.8 No 12 AWG 90°C branch circuit conductors. (4 in, 4 out)
- (5)1/2" knockouts with true pry-out slots and (4) knockouts with Romex cable clamp.
- Ground wire provided on J-box.

• Reflector

- Anodized clear, gold, champagne, pewter color finished full reflectors. And anodized reflectors with black or white milled groove baffle collar.

• Trim

- White plastic ring or plated chrome, satin nickel, polished brass, natural steel color ring.

• Mounting Frame

- Galvanized steel construction.
- 12"L x 7-5/8"W

• Socket

- G24Q/GX24Q socket for use 4 pin DTT, TTT lamps.

• Bar Hangers

- Maximum extension of 24" allows for extra distance between joists.
- Housing can be positioned at any point within 24" joist span.

- Score lines allow "toolless" shortening for 12" joists. Bar hangers may be repositioned 90 degrees.

- Integral T-bar clips snaps onto T-bars and no additional clips are required.

• Just-A-Nail

- Pre-installed nail bars with vertical slots are used to evenly align the bars horizontally after nailing halfway into wood joists.

• Lamp

- Compact Fluorescent lamps.
 - * DTT-Double twin tube (Quad/CFQ)
 - (2) 13W DTT (4 pin)
 - (2) 18W DTT (4 pin)
 - (2) 26W DTT (4 pin)
 - * TTT-Triple Twin Tube (CFTR)
 - (1) 26W TTT (4 pin)
 - (1) 32W TTT (4 pin)

• Ballast

- Class P Thermally protected by internal fuse (3 amp fast blow), Multi-volt electronic ballast or thermal switch in magnetic ballast.
- High Power Factor Multi-volt Electronic ballasts for 4 pin type compact fluorescent lamps or Magnetic ballast for 2 pin lamps mounted on J-box door for easy access from inside of fixture.

* Listing

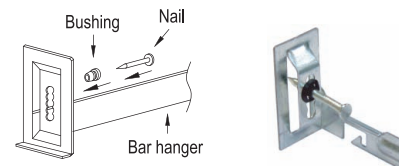
- UL, c-UL listed for damp location.
- UL, c-UL listed for feed through.

	DLF-606	DLF-6063
H	5-1/4" (134mm)	3-1/3" (89mm)

*(H):Height

• Just-A-Nail

Adjustable nail hanger bar for easy alignment.



JUST-A-NAIL

• Optional "Quick Connect" Push-in wire connectors.

- Three "Quick Connectors"
- Pre-installed push-in wire connectors for fast and easy wiring.

Ordering Information

Housing	Ballast	Lamp(s) Watt.	Option
DLF-606 DLF-6063	-N : 120V NPF Magnetic -H : 120V HPF Magnetic -NE : 120V NPF Electronic -HE : 120V HPF Electronic	-E : 120V/277V HPF Electronic 126 : (1)26W 213 : (2)13W 132 : (1)32W 218 : (2)18W 226 : (2)26W	-EM : Emergency w/ Remote Test Switch -C : Quick Connectors

Example : DLF-606-E226-C

Trims

6" Compact Fluorescent Trims For

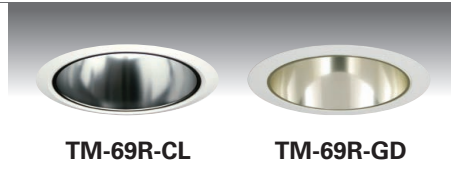
DLF-606, DLF-606R, DLF-6063, DLF-6063R, ICF-606AT

Catalog #		Type
Project		Date
Prepared by		

FLUORESCENT

TM-69R

Specular Reflector
NON-IC : 2x26W DTT
IC : 2x18W DTT
 White Plastic Trim Ring
 O.D : 7-1/2"



TM-654

Wall Wash w/ Reflector
NON-IC : 2x26W DTT
IC : 2x18W DTT
 White Plastic Trim Ring
 O.D : 7-1/4"



TM-69RT

Specular Reflector
NON-IC : 1x32W TTT
IC : 1x26W TTT, DTT
 White Plastic Trim Ring
 O.D : 7-1/2"



TM-659 (For TM-69R)
TM-6593 (For TM-693R)
Reflector w/ Cross Louver Blade
NON-IC : 2x26W DTT, 1x32W TTT
IC : 2x18W DTT, 1x32W TTT
 White Plastic Trim Ring
 O.D : 7-1/2"



TM-693R

Specular Shallow Reflector
DLF-6063 : 2x26W DTT
DLF-6063R
 White Plastic Trim Ring
 O.D : 7-1/2"



TM-5/TM-5P

Shower Fresnel Lens
NON-IC : 2x26W DTT, 1x32W TTT
IC : 2x18W DTT, 1x32W TTT
 White Metal Trim Ring
 O.D : 8-1/8"
 *Symbol (P) is for Lexan Trim



TM-61

Baffle w/ Clear Reflector
NON-IC : 2x26W DTT
IC : 2x18W DTT
 White Plastic Trim Ring
 O.D : 7-1/2"



TM-6/TM-6P

Shower Drop Opal Lens
NON-IC : 2x26W DTT, 1x32W TTT
IC : 2x18W DTT, 1x32W TTT
 White Metal Trim Ring
 O.D : 8-1/8"
 *Symbol (P) is for Lexan Trim



TM-61T

Baffle w/ Clear Reflector
NON-IC : 1x32W TTT
IC : 1x26W TTT, DTT
 White Plastic Trim Ring
 O.D : 7-1/2"



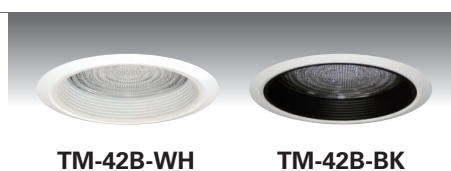
TM-7/TM-7P

Shower Albalite Lens
NON-IC : 2x26W DTT, 1x32W TTT
IC : 2x18W DTT, 1x32W TTT
 White Metal Trim Ring
 O.D : 8-1/8"
 *Symbol (P) is for Lexan Trim



TM-42B

Baffle w/ Fresnel Lens
NON-IC : 2x26W DTT, 1x32W TTT
IC : 2x18W DTT, 1x32W TTT
 White Plastic Trim Ring
 O.D : 7-1/2"



TM-42R

Reflector w/ Fresnel Lens
NON-IC : 2x26W DTT, 1x32W TTT
IC : 2x18W DTT, 1x32W TTT
 White Plastic Trim Ring
 O.D : 7-1/2"



ORDERING INFORMATION

Choose the catalog / finish codes that best suit your needs and enter it on the appropriate line.

TRIM MODEL	REFLECTOR	BAFFLE	METAL RING
	CL :Clear	WH :White	WH :White
	WH :White	BK :Black	BK :Black
	GD :Gold	SN :Satin Nickel	SN :Satin Nickel
	MA :Matte Platinum	AN :Antique Nickel	AN :Antique Nickel
	CP :Champagne	AC :Antique Copper	AC :Antique Copper
	PR :Pewter	MO :Mocha	MO :Mocha
	HC :Haze Clear	CA :Cappuccino	CA :Cappuccino
		CH :Chrome	CH :Chrome
		UN :Natural Steel	UN :Natural Steel
		PB :Polished Brass	PB :Polished Brass

Examples:

TM-69R-CL-WP = White Trim Ring w/ Clear Reflector
 TM-42B-BK-WP = Fresnel Lens w/ Black Baffle
 TM-61-WH-WP = White Baffle w/ Clear Reflector

◆ Available with metal rings (7-1/2" O.D).

◆ All trims are damp location, Lens trims are wet location listed.

PLASTIC RING OPTIONS

WS :7-1/4" O.D (White)
 WO :7-7/8" O.D (White)